

TBF2

Filterfleece filter for cleaning coolant lubricants

Drum Belt Filter
500 - 1150 l/min



The Drum Belt Filter is a multifunction filter for different machining procedures, materials and coolant lubricants

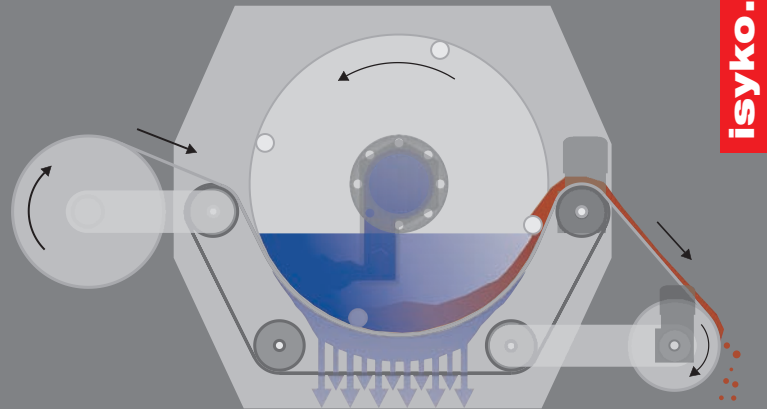
Contaminated fluid flows from the side into the filter groove, through the filter fleece and carrier belt and cleaned into the clean tank.

The retained dirt particles build up a filter cake, thus increasing flow resistance and leading to a rise in the level.

At a pre-defined height, a float switch activates the belt drive and conveys the belt carrier together with the filter fleece a small distance forward.

This allows the clean filter belt to reach the filter surface, the volume flow increases and the level of contaminated fluid drops.

The contaminated fleece is directed into a sludge tank or, as an option, can be removed by a scraper onto a winding device.



Equipment

Option Standard

Type:

TBF2. 70

TBF2. 100

TBF2. 150*

Filter produced in stainless steel

Filter fleece fastening

Filter fleece roll up to Ø350mm

All Bearings fixed outside housing

Carrier Belt in stainless steel

Belt drive motor

Level switch

Fleece shortage switch

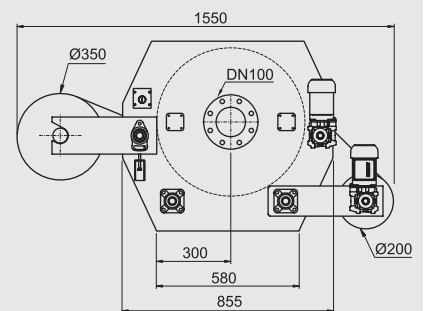
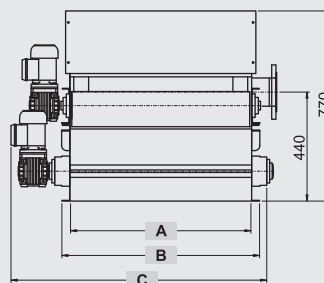
Control system

Winding unit with drive and scraper

Dirt fleece shortage switch

Sludge tank for dirt fleece

	500	750	1150
Filter produced in stainless steel	<input checked="" type="checkbox"/>	<input checked="" type="checkbox"/>	<input checked="" type="checkbox"/>
Filter fleece fastening	<input checked="" type="checkbox"/>	<input checked="" type="checkbox"/>	<input checked="" type="checkbox"/>
Filter fleece roll up to Ø350mm	<input checked="" type="checkbox"/>	<input checked="" type="checkbox"/>	<input checked="" type="checkbox"/>
All Bearings fixed outside housing	<input checked="" type="checkbox"/>	<input checked="" type="checkbox"/>	<input checked="" type="checkbox"/>
Carrier Belt in stainless steel	<input checked="" type="checkbox"/>	<input checked="" type="checkbox"/>	<input checked="" type="checkbox"/>
Belt drive motor	<input checked="" type="checkbox"/>	<input checked="" type="checkbox"/>	<input checked="" type="checkbox"/>
Level switch	<input checked="" type="checkbox"/>	<input checked="" type="checkbox"/>	<input checked="" type="checkbox"/>
Fleece shortage switch	<input checked="" type="checkbox"/>	<input checked="" type="checkbox"/>	<input checked="" type="checkbox"/>
Control system	<input checked="" type="checkbox"/>	<input checked="" type="checkbox"/>	<input checked="" type="checkbox"/>
Winding unit with drive and scraper	<input type="checkbox"/>	<input type="checkbox"/>	<input type="checkbox"/>
Dirt fleece shortage switch	<input type="checkbox"/>	<input type="checkbox"/>	<input type="checkbox"/>
Sludge tank for dirt fleece	<input type="checkbox"/>	<input type="checkbox"/>	<input type="checkbox"/>



*Sonderanfertigung

isyko.de